

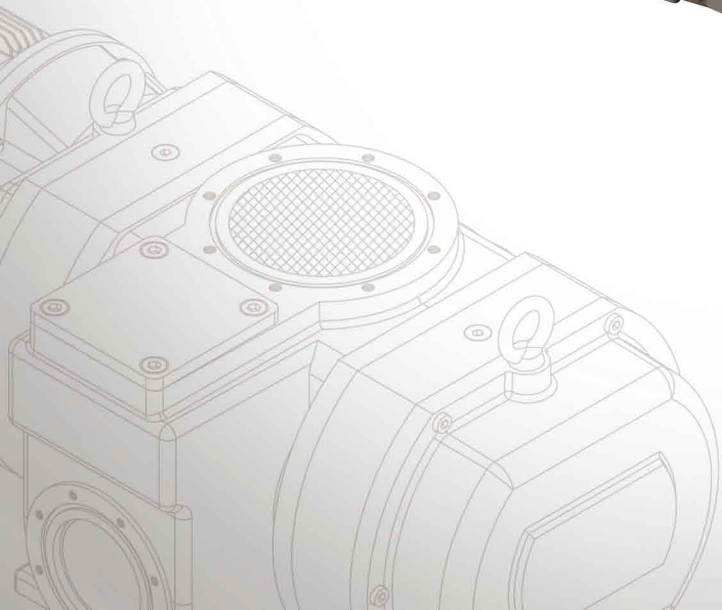
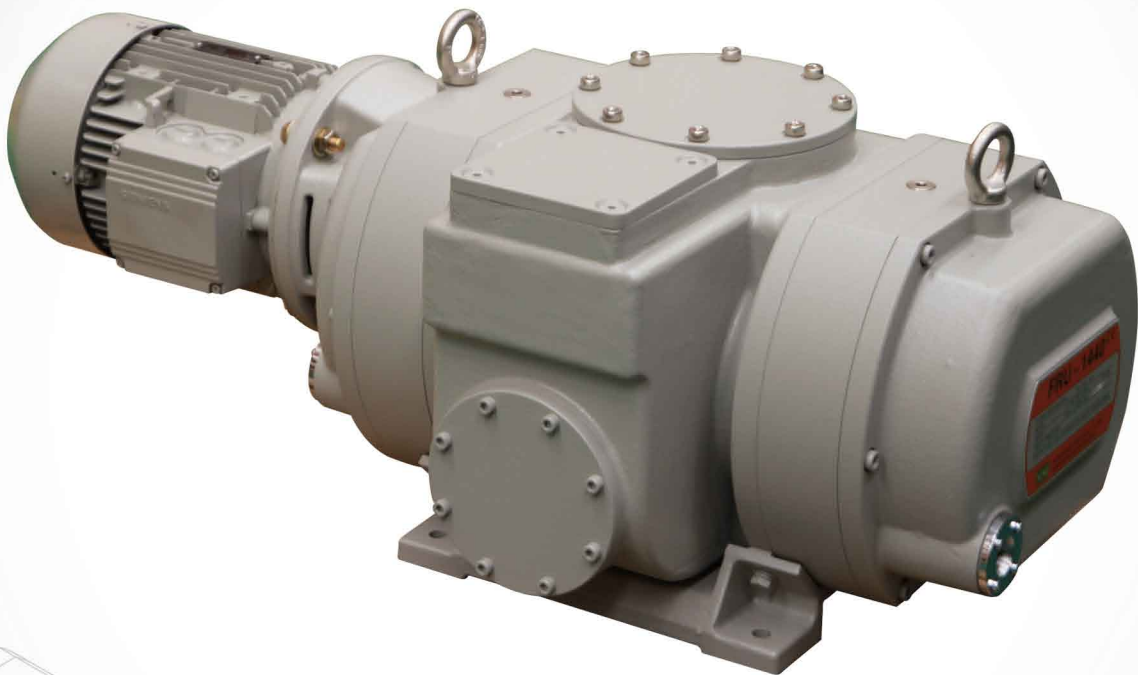


**WOOSUNG**  
vacuum pump



# FRU SERIES

Roots vacuum pump



# FRU SERIES

180~5800 m<sup>3</sup>/h

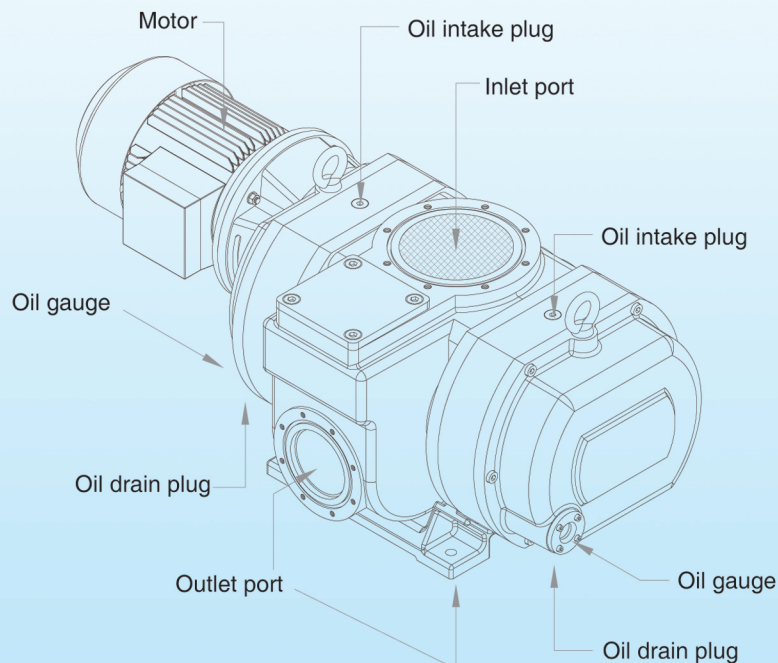


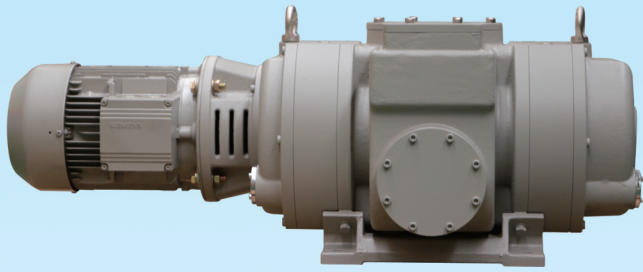
## Design Feature

- ▶ 대기압 작동형 펌프로 작업시간을 단축하여 에너지 소비를 감소
- ▶ 안정된 펌프성능을 유지하며 모든 진공 작업공정에 사용 가능
- ▶ 공랭식 냉각
- ▶ 배기구 수평, 수직 사용하는 구조로 후단펌프와 배관연결이 용이
- ▶ ISO 국제규격에 따른 흡입구, 배기구
- ▶ 저소음, 저진동
- ▶ 간단한 유지보수 및 수리의 용이

- ▶ Saved energy consumption by reduced operating time by inhaling from ambient pressure.
- ▶ Steady and excellent performance and applicable in all vacuum applications.
- ▶ Air-cooling system.
- ▶ The pump have two outlet port, vertical and horizontal, to enable convenient piping with backing pump
- ▶ ISO flange is used for inlet and outlet port.
- ▶ Low vibration level, low noise level.
- ▶ Easy maintenance and repairing.

## External pump sketch





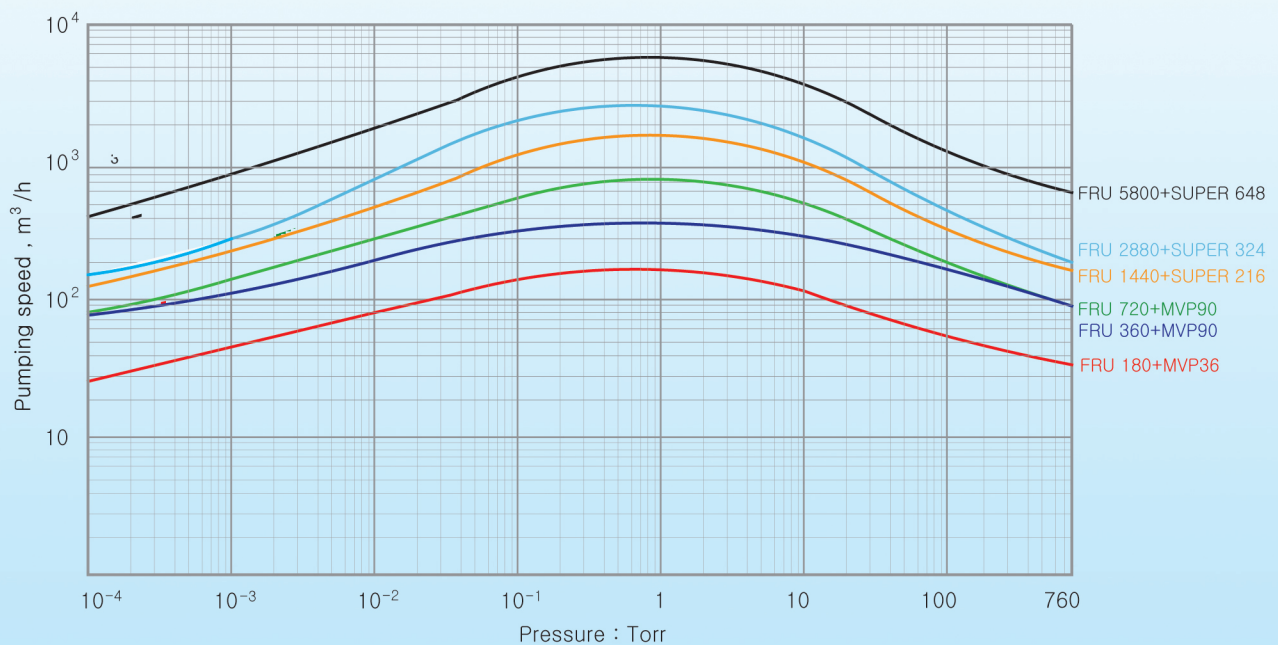
# FRU SERIES

180~5800 m<sup>3</sup>/h

## Technical Data

DESCRIPTION		UNIT	FRU180	FRU360	FRU720	FRU1440	FRU2880	FRU5800
Displacement speed	50 Hz	m <sup>3</sup> /h	150	300	600	1200	2400	4800
	60 Hz		180	360	720	1440	2880	5800
Ultimate pressure with 2 stage backing pump		Torr	5 x 10 <sup>-5</sup>					
Inlet pressure(Max.continuous)		Torr	760	760	760	760	760	760
Inlet port		ISO	63	63	100	160	160	250
Outlet port		ISO	63	63	100	100	160	200
Motor	Power	kW	0.75	1.1	2.2	3.7	7.5	15
	Voltage	50 Hz	220/380~420					
60 Hz		220/380/440						
Rotational speed of pump	50 Hz	R.P.M	3000					
	60 Hz		3600					
Oil filling		Liter	0.6	0.6	1.6	2.4	4.7	7.0
Weight		kg	87	105	191	296	494	884

## Pumping Speed Curve





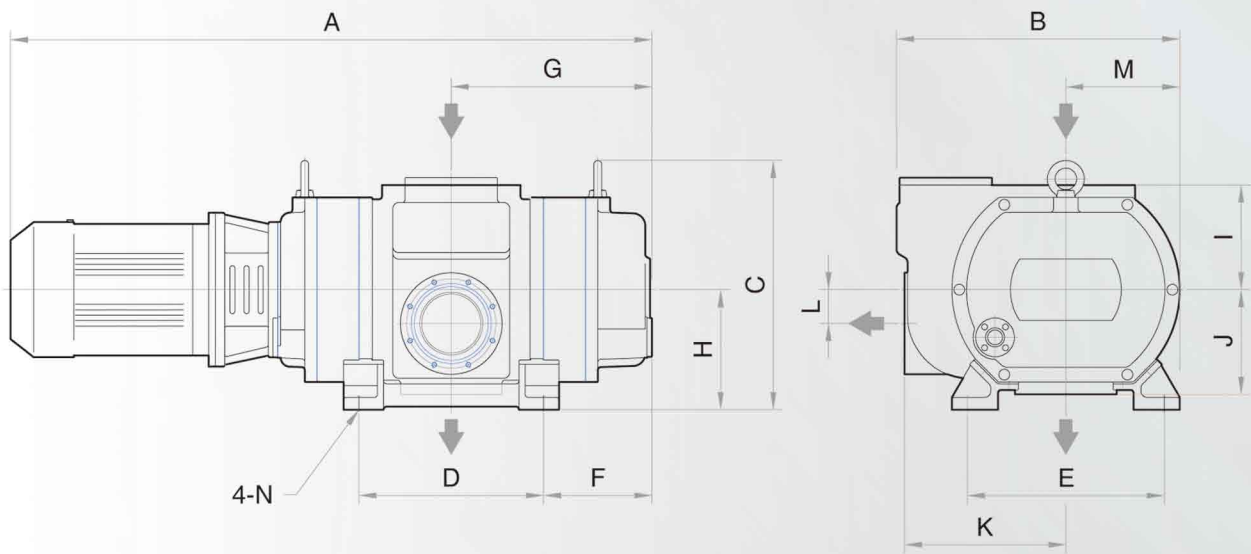


# FRU SERIES

180~5800 m<sup>3</sup>/h

## Outside Dimension

MODEL : FRU180, FRU360, FRU720, FRU1440, FRU2880, FRU5800

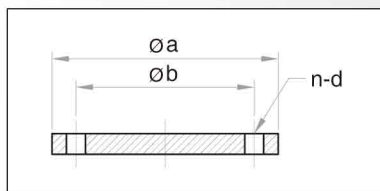


(UNIT:mm)

MODEL	A	B	C	D	E	F	G	H	I	J	K	L	M	N
FRU180	687	287	299	188	210	117	211	145	120	120			127	Ø 13
FRU360	797	287	299	298	210	117	266	145	120	120			127	Ø 13
FRU720	894	388	352	260	270	154	284	170	145	145	218	40	158	Ø 13
FRU1440	1040	460	405	300	320	173	323	195	170	170	262	55	185	Ø 15
FRU2880	1172	575	502	350	410	187	362	245	215	215	325	65	235	Ø 18
FRU5800	1483	680	592	480	480	190	430	285	255	255	388	90	278	Ø 18

## Dimensions of ISO flange

(UNIT:mm)



STANDARD	a	b	n	d
ISO63	130	110	4	M8
ISO100	165	145	8	M8
ISO160	225	200	8	M10
ISO200	285	260	12	M10
ISO250	335	310	12	M10



**우성진공펌프(주)**  
WOSUNG VACUUM CO., LTD.

※ 본사판매

경기도 김포시 양촌읍 황금로 258번길 14

TEL : 031-432-7324

FAX : 031-498-7328

홈페이지 : [www.vacuumkorea.com](http://www.vacuumkorea.com)

※ Head office

14, Hwangeum-ro 258beon-gil,  
Yangchon-eup, Gimposi, Gyeonggi-do, Korea

TEL : 031-432-7324

FAX : 031-498-7328

Homepage : [www.vacuumkorea.com](http://www.vacuumkorea.com)